



Compatible inverter brands

Deye **GROWATT**

solis **SOLINTEG**

FOX
ESS



241kWh BATTERY

Air Cooling Commercial & Industrial Battery System Solution

Flexible

Highly integrated
All pre-assembled
Extendable

Reliable

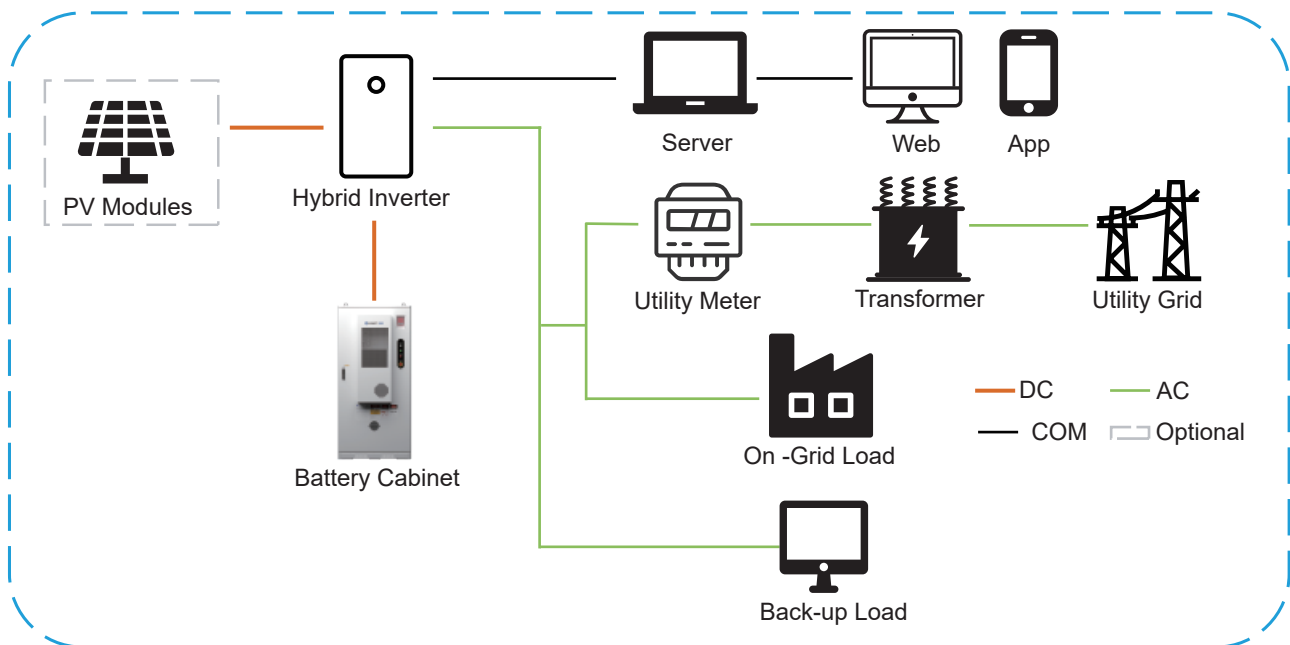
DC electric circuit safety protection
Multi level battery protection
Fire suppression system

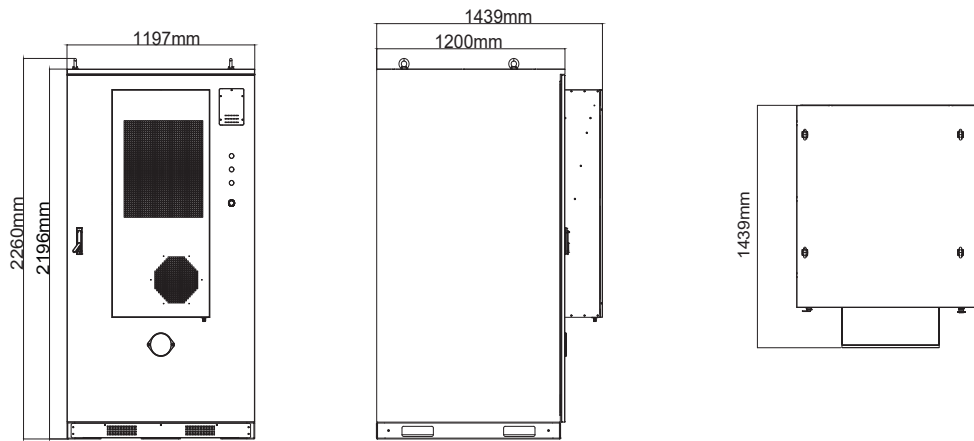
Efficient

Intelligent cooling system
< 10ms Switching Off /
On-grid

Smart

Intelligent cloud platform
management, real-time
monitoring of operational status





Model	SKTESS241
Battery Type	LiFePO4
Nominal Capacity	314Ah
Battery Configuration	1P240S
Nominal Energy	241.152kWh
Nominal Voltage	768V
Operating Voltage Range	672~ 864V
Max.Continuous Charge / Discharge Current	157A
Charge / Discharge Rate	0.5P
Max. Charge-discharge Efficiency	95% (@25°C~30°C, 0.5P)
Ingress Protection	IP54
Anti-Corrosion Grade	C4
Cycle Life	≥ 6000 (@25°C ± 2°C , 0.5P / 0.5P, 70% EOL)
Operating Temperature Range	-20°C~50°C
Relative Humidity	≤90 % (non-condensing)
Communication	CAN / RS485
Cooling	Air Cooling
Dimension	1197 × 1439 × 2196mm
Weight	≤2000kg
Max. Parallel	5

Packing Configuration

Single Dimension	1297 × 1489 × 2246mm	
Container	20'GP	40'HQ
Pieces per Container	4	9

